



PRECI-TECH

T O O L S

The Complete Tooling Solution





ABOUT US

PRECI-TECH TOOLS:

It self is synonym to precision ,As it reflects technology blended with precision is the soul of our business.

At our facility, a dedicated team of highly qualified and experienced professionals a ensures prompt and effective service delivery to our esteemed clients .our commitment to excellence is reflected in every aspect of our work, from production customer care.

We firmly believe that our customers are the cornerstone of our success. with this in mind, exceeding their expectations and fulfilling their need is our foremost objective. our passion for customer satisfaction drives us to continually refine our processes nd offerings, ensuring that we remain at the forefront of the industry.

Experience the difference with us-where cutting-edge technology meets unmatched service, all at a competitive price. welcome to preci-tech tools where precision and reliability converge to exceed your expectation.

TURNING TOOLS

- External Tools
- O.D Grooving
- I.D Grooving
- Boring bars



THREADING TOOLS

- Threading Tools
- Threading Milling



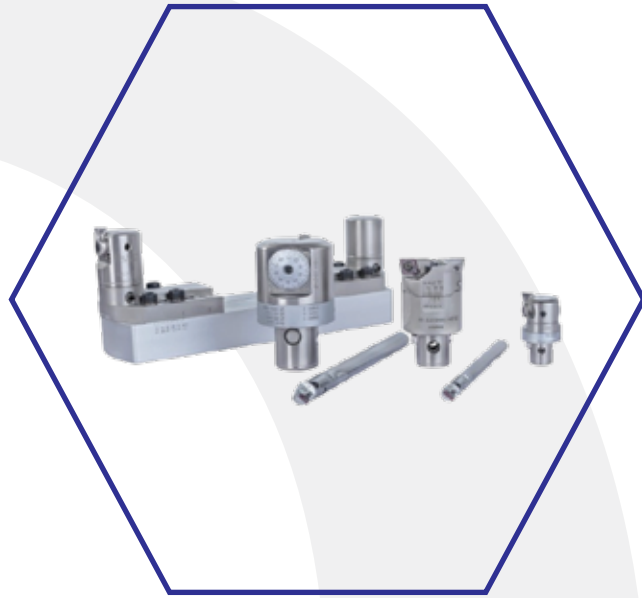
MILLING CUTTERS

- Facing Cutter
- Square Solder
- High Feed Cutter



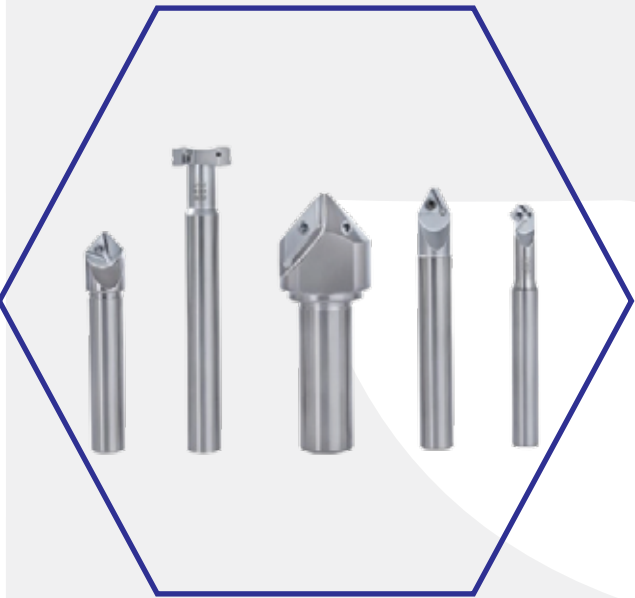
BORING HEADS

- Finish Boring (EWN)
- Rough Boring (TWN)



CHAMFER CUTTER

- Chamfer 30*, 45*, 60*
- Engraving Cutter
- Front & Back Chamfer



U-DRILLS

- SPMG Type LXD 2,3,4,5
- WCMX Type LXD 2,3,4,5



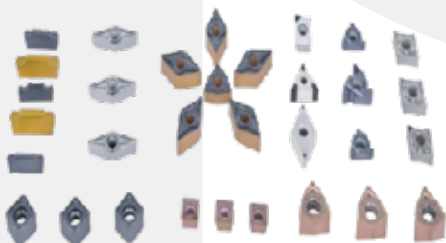
SOLID CARBIDE TOOLS

- Solid Carbide Drills
- Rougher
- Threadmills
- Micro Tools (Turning)
- Ballmills
- Endmills



INSERTS

- Turning
- Grooving
- Milling
- Drilling
- Threading
- PCD
- CBN



ADAPTERS

- BT30 / 40 / 50)
- ABT30 / 40 / 50 (BBT)
- SK / CAT / HSK
- ISO / 40 / 50



COLLETS

- ER-Collet
- Sealed Collet
- Tap Collet



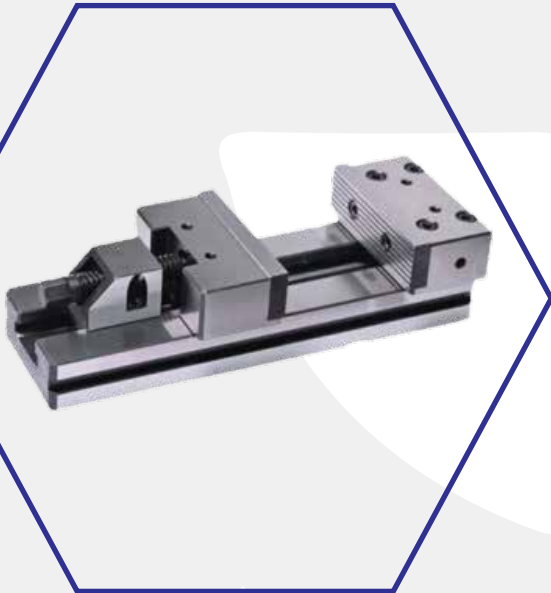
PULL-STUD

- BT30 / 40 / 50
- CAT40 / 50
- SK40 / 50



LOCKING DEVICE

- BT30 / 40 / 50
- ABT30 / 40 / 50 (BBT)
- HSK



MODULAR VICE

- 150mm Opening
- 200mm Opening
- 250mm Opening
- 300mm Opening
- 350mm Opening

SLEEVE

- Turret Sleeve
- Eccentric Sleeve
- Hydrogrip Sleeve



SOFTJAW

- Airtech
- Kitagava
- GMT



SPANNER

- Flag Type T6 to T20
- Screw Driver Type T6 to T25
- ER-Spanner



ALL TYPE SPARES

- Shimes
- Top Clamp
- Shime pins
- Top Clamp Bolt
- Star Screws



ACCESSORIES

- **Tool Trolley**
- **Spindle Wiper**
- **Edge Finder**
- **Z-Setter**
- **Clamping Kit**
- **Spl.Tool**
- **Stud**
- **T-Nut**
- **Clamps**
- **Coolant Ball & Pipe**
- **Chuck Pest**
- **Power Chuck**

WE DEALS IN



**“ I Never Dreamed
about success -
I worked for it.”**



Head office : Mansata Industrial Area, Street No. 1,
B/h .Nyara petrol Pump, Gondal Road,
Rajkot 360004. (Gujarat)



Factory : Plot No.12, Urja Industrial Park-10 Pardi
padwala Road , Pardi village ,
Rajkot-360024(Gujarat)



Branch : 106- Fortune Gold Complex,
kishan Gate, Gidc Metoda.



Branch : Sapphire Tower, Shop No. 39,
Ground Floor, Shapar (Veraval) Rajkot.



precitechtools11@gmail.com



www.precitech.in



8000056056, 9913456056